

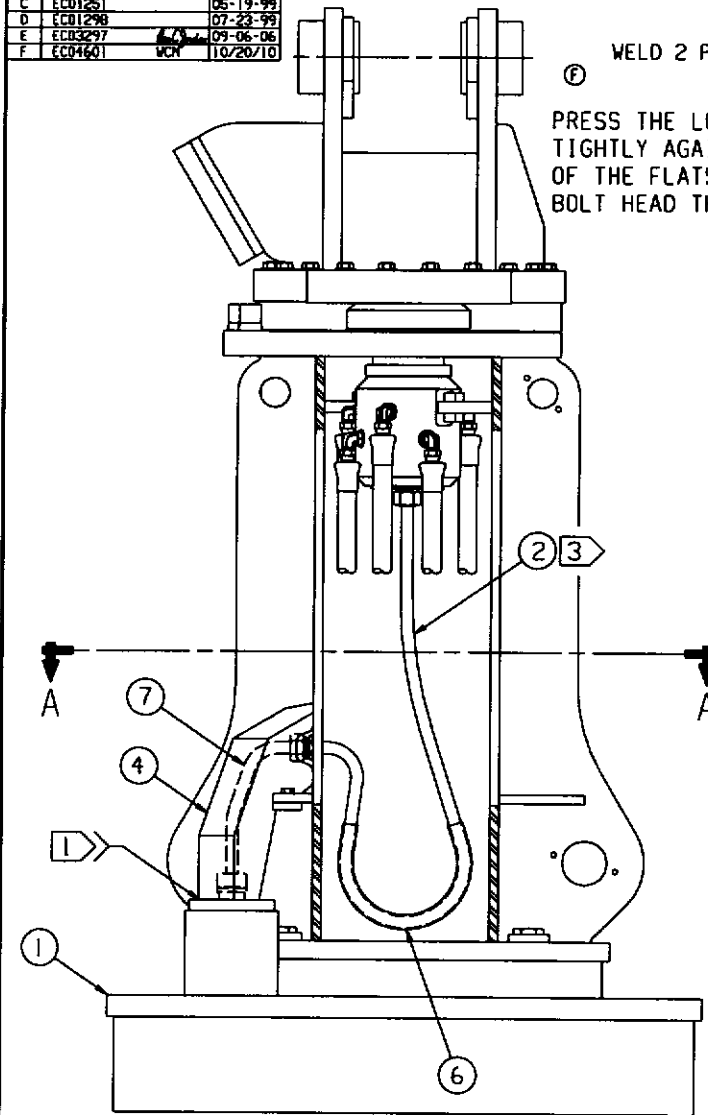
DRAWING NUMBER: 545W1495

LTR	CHANGE	DATE
A	EC01015	08-06-98
B	EC01028	08-18-98
C	EC01251	05-19-99
D	EC01298	07-23-99
E	EC03297	09-06-06
F	EC04601	10/20/10

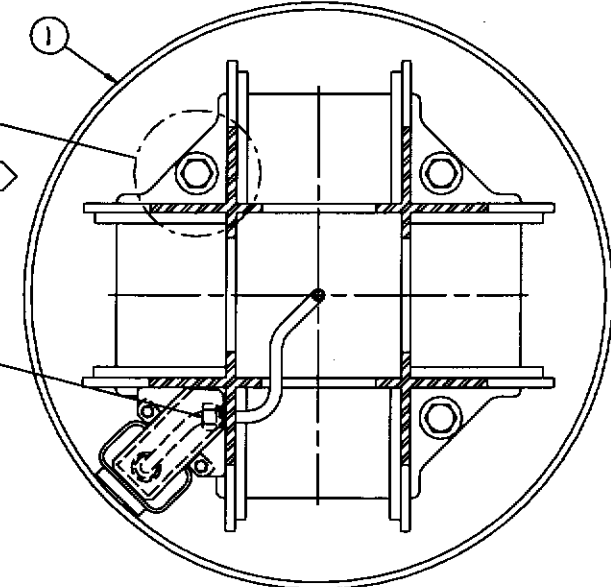
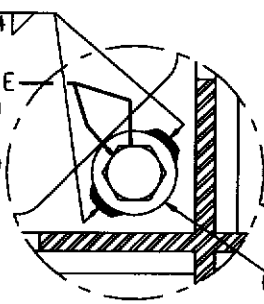
BILL OF MATERIALS

DRAWING NUMBER: 545W1495

QTY	DESCRIPTION	PART NUMBER
1	40" MAGNET	REF.
2	CABLE: 8 AWG-2 TYPE W 2000 V 15 FT. (180")	5000M9
3	BOLT MODIFICATION	642VBB
4	COVER: CABLE	92W205
5	LOCK PLATE	183V5B
6	SLEEVE FOR 1/4" HOSE 36" LONG	3500H13
7	SLEEVE FOR 1/4" HOSE 20" LONG	3500H13



WELD 2 PLCS. 1/4"  
 PRESS THE LOCK PLATE TIGHTLY AGAINST TWO OF THE FLATS OF THE BOLT HEAD THEN WELD



REF CABLE FTG 646V29

SECTION A-A

- NOTES: THIS INSTALLATION IS FOR 40" MAGNETS WALKER, OHIO #340LO1C01 OR WINKLE W11468.
- 1 REMOVE CABLE COVER ITEM #4 PRIOR TO MOUNTING MAGNET AND ROUTING MAGNET CABLE. CABLE COVER MAY NEED TO BE TRIMMED ALONG BOTTOM EDGE TO ACCOMMODATE AN OHIO MAGNET.
  - 2 APPLY LOCKTITE #242 - TORQUE ITEM #3 TO 1,300 FT-LBS ON LUBRICATED THREADS.
  - 3 CABLE IS TO BE ROUTED WITH A LOOP (AS SHOWN) TO ACCOMMODATE FOR ROTATION OF CABLE. A MINIMUM OF 15 FEET OF CABLE IS SUPPLIED WITH THE MAGNET. PROTECTION SLEEVES ITEMS 6 & 7 ARE TO BE PROVIDED AT THE POSITIONS SHOWN.

**NASCO-OP**  
 800-321-3396

TOLERANCE, EXCEPT WHERE SPECIFIED	STATUS	INITIALS	DATE	USED FOR	REQ'D	MATERIAL	MAGNET INSTALLATION			
DECIMAL : .000	CHECKED			LMG-100	1		OWN BY	DATE	SCALE	545W1495 F
.001 : .002	PRE-PRODUCTION			LMG-125	1		ARL	06-16-98	1/8	
.002 : .005	PRODUCTION			LMG-200	1					
.005 : .010										
FRACTIONAL : 1/16										
ANGULAR : ± 1 DEG										

V11504